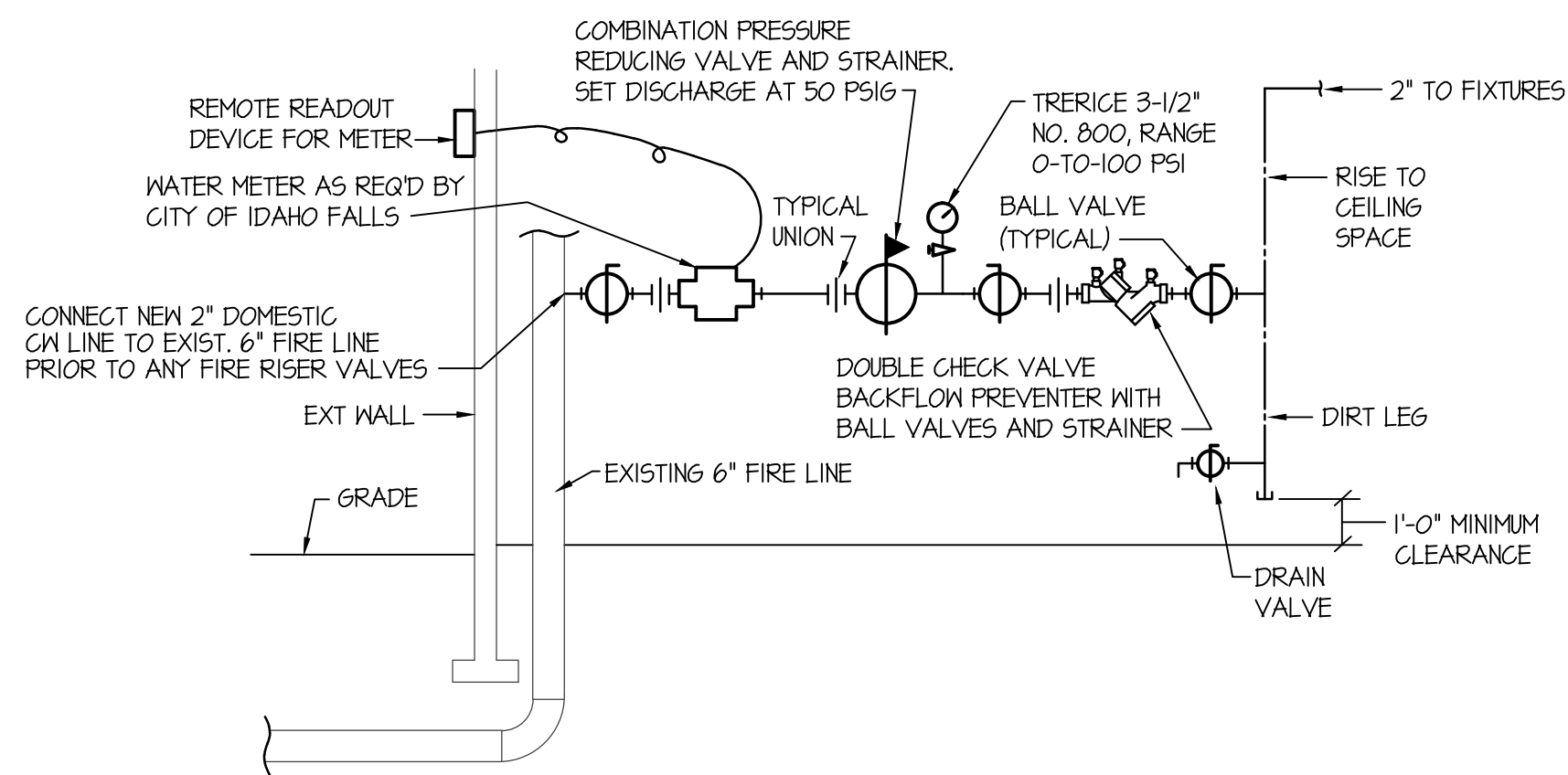
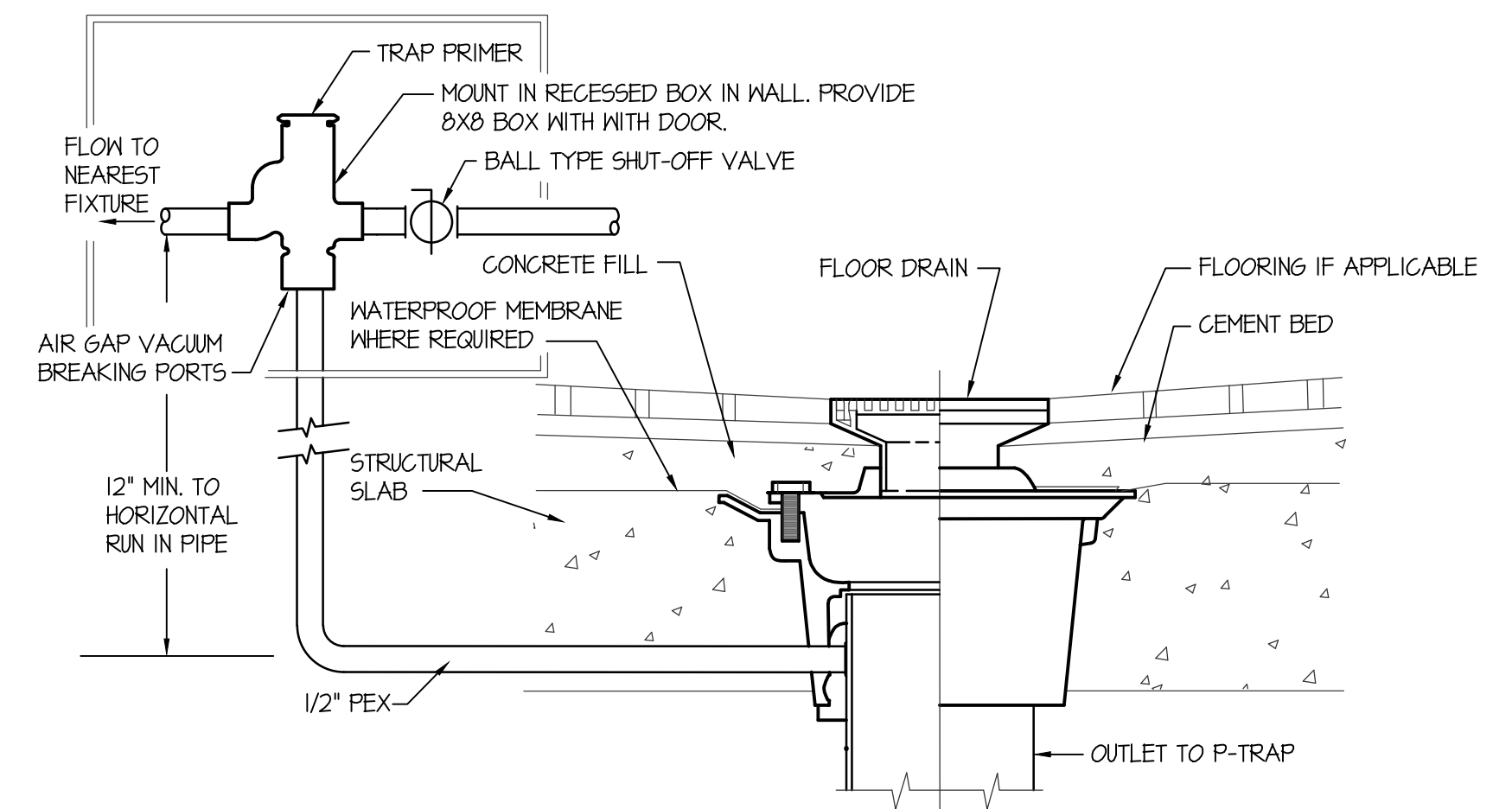


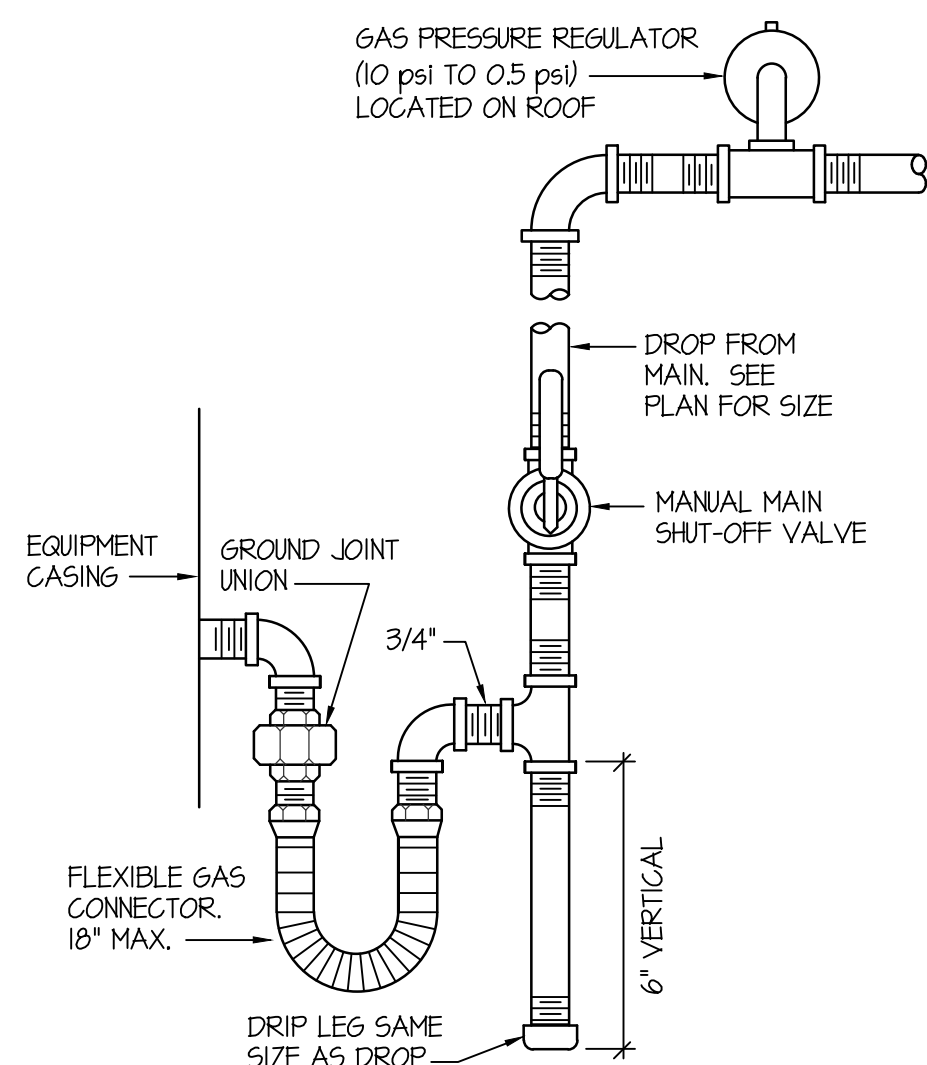
GAS FIRED WATER HEATER PIPING DIAGRAM
NO SCALE



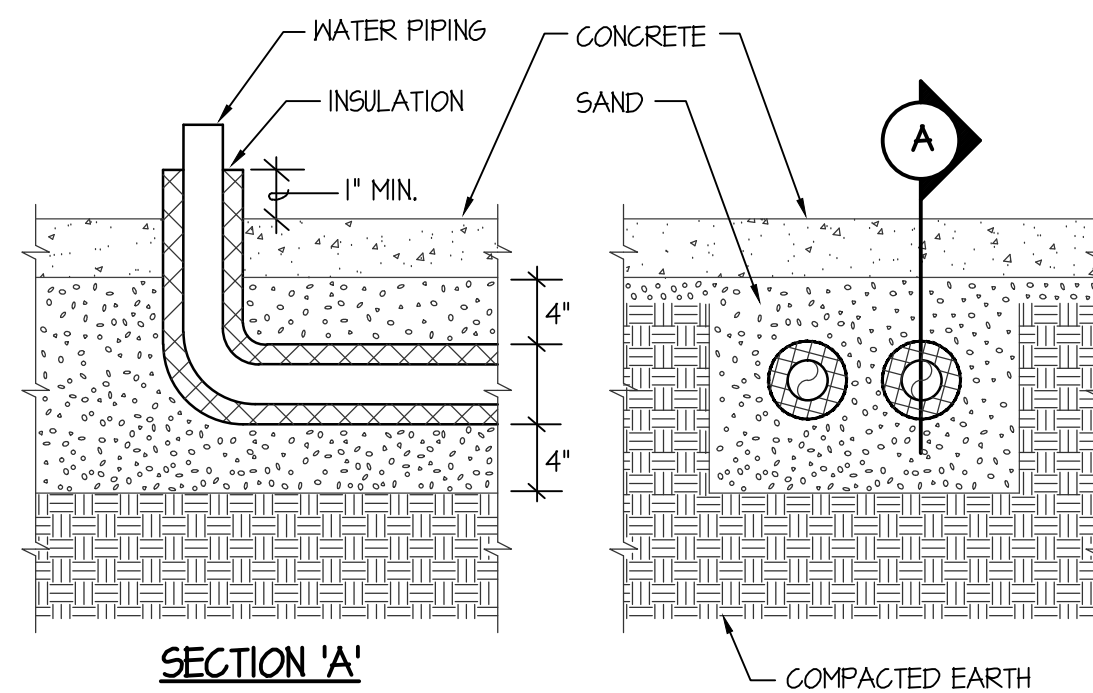
WATER PRESSURE REDUCING STATION DETAIL
NO SCALE



TRAP PRIMER DETAIL
NO SCALE

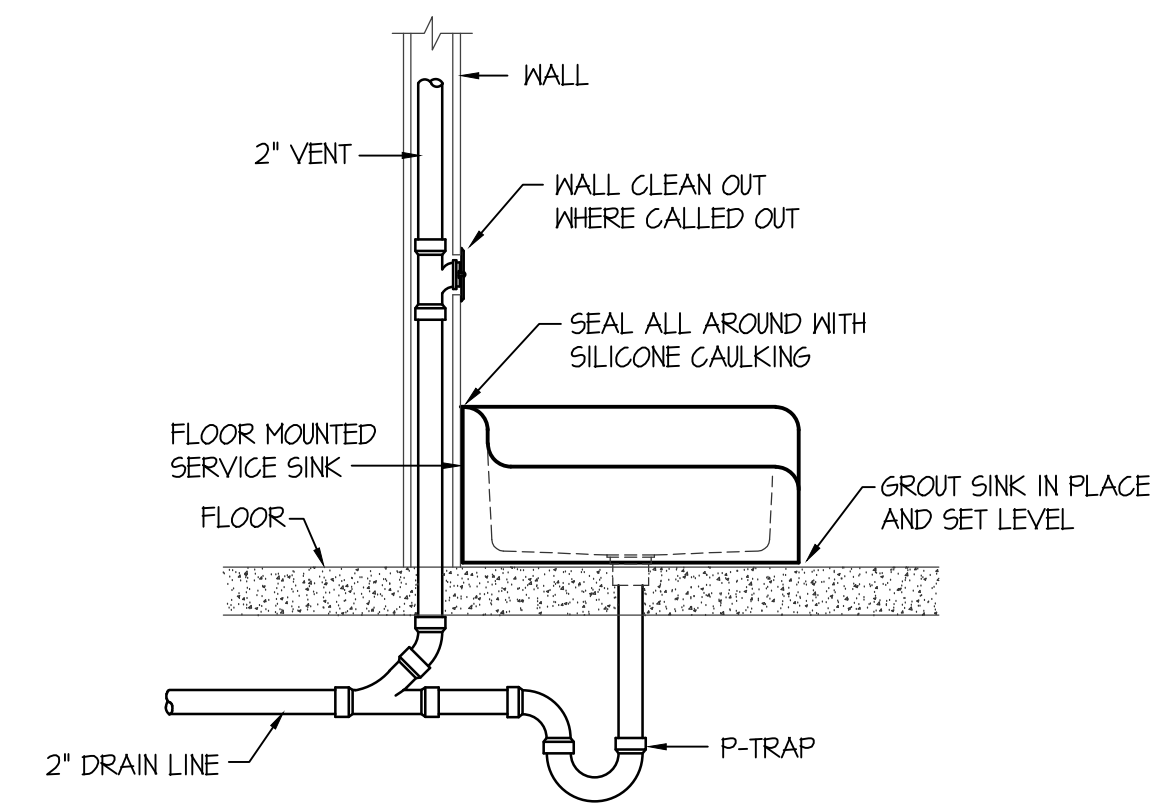


GAS LINE CONNECTION DETAIL
NO SCALE

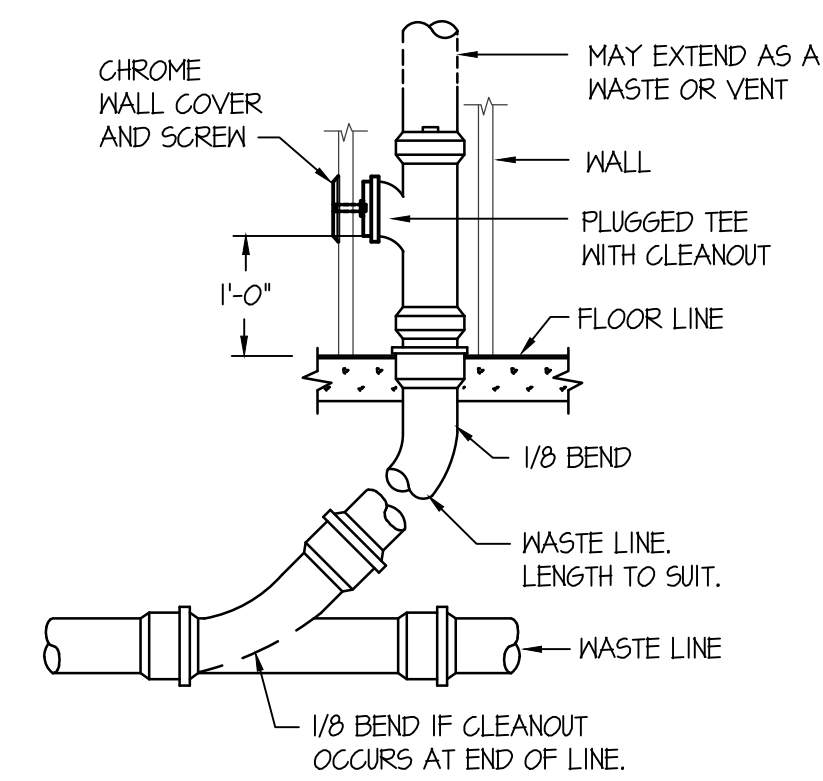


- NOTES:**
- 1 - ALL WATER PIPING INSTALLED UNDERFLOOR SHALL BE TYPE "K" COPPER OR PEX
 - 2 - WATER PIPE INSULATION ON UNDERFLOOR PIPING SHALL BE ARMAFLEX 3/4" THICK RUBBER PIPE INSULATION. TAPE INSULATION AT ALL SEAMS.
 - 3 - MINIMUM PIPE SIZE UNDERFLOOR SHALL BE 3/4" FOR COPPER, 1/2" FOR PEX
 - 4 - SAND FILL AROUND PIPING SHALL BE A MINIMUM OF 4" THICK. MATERIAL SHALL BE HAND TAMPED, RODDED OR LIGHTLY COMPACTED DURING INSTALLATION. CARE SHOULD BE TAKEN NOT TO DEFORM OR OTHERWISE DAMAGE PIPING OR INSULATION.

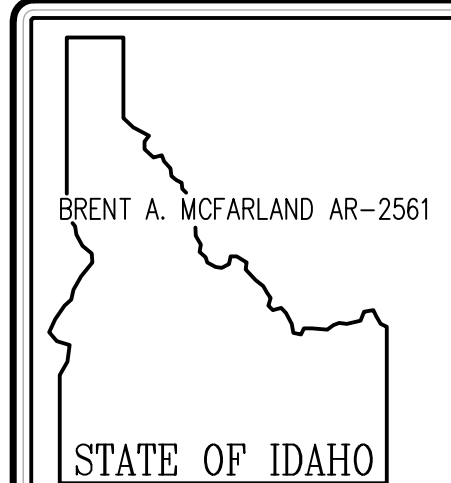
UNDER SLAB PIPE INSTALLATION DETAIL
NO SCALE



SERVICE SINK INSTALLATION DETAIL
NO SCALE



WALL CLEANOUT DETAIL
NO SCALE



CONSULTANTS:

MECHANICAL ENGINEERING
ENGINEERED SYSTEMS ASSOC.
1355 East Center
Pocatello, Idaho 83201
(208) 233-0501
Fax (801) 233-0529

ELECTRICAL ENGINEERING
PAYNE ENGINEERING INC.
1823 E. Center St.
Pocatello, Idaho 83201
(208) 232-4439
Fax (208) 232-1435

PROJECT: WORLD GYM REMODEL
LOCATION: IDAHO FALLS, IDAHO
DRAWING TITLE: PLUMBING DETAILS

#	DATE	COMMENT

REVISION:

DRAWN BY: SR JOB NO: 756
CHECKED BY: DCS DATE: OCT, '18
PLOT DATE: 09-26-18

ORIGINAL DRAWING SIGNED BY: DWAYNE C. SUDWEEKS
DATE ORIGINAL SIGNED: Oct 03, 2018
ORIGINAL ON FILE AT ENGINEERED SYSTEMS ASSOCIATES
1355 EAST CENTER, POCATELLO, IDAHO 83201

PROFESSIONAL ENGINEER
REGISTERED
5762
STATE OF IDAHO
DWAYNE C. SUDWEEKS

Engineered Systems Associates

1355 EAST CENTER
POCATELLO, IDAHO 83201
PHONE: (208) 233-0501
FAX: (208) 233-0529
EMAIL: eso@engsystems.com
ESA JOB NUMBER: 18061

DRAWING NO.: P2.0
FILE: 18061 P2.0.dwg
OF -